

2W005 THRU 2W10

SINGLE PHASE 2.0 AMPS. SILICON BRIDGE RECTIFIERS

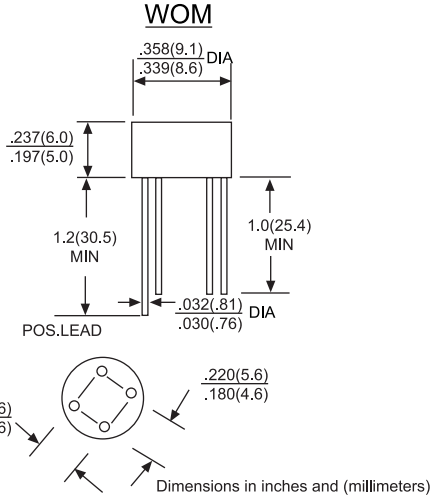
Voltage Range
50 to 1000 Volts
Current
2.0 Amperes

FEATURES

- UL Recognized File # E-230084
- Surge overload ratings to 50 amperes peak
- Ideal for printed circuit board
Reliable low cost construction technique results in inexpensive product
- High temperature soldering guaranteed:
250°C / 10 seconds / 0.375"(9.5mm)
lead length at 5 lbs.,(2.3Kg) tension

Mechanical Data

- Case:Molded plastic
- Lead:Solder plated
- Polarity:As marked
- Weight:1.10 grams



MAXIMUM RATINGS AND ELECTRICAL CHARACTERISTICS

Rating at 25°C ambient temperature unless otherwise specified.
Single phase, half wave, 60Hz, resistive or inductive load.
For capacitive load, derate current by 20%

Type Number		2W005	2W01	2W02	2W04	2W06	2W08	2W10	UNITS
Maximum Repetitive Peak Reverse Voltage	V _{RRM}	50	100	200	400	600	800	1000	V
Maximum RMS Voltage	V _{RMS}	35	70	140	280	420	560	700	V
Maximum DC Blocking Voltage	V _{DC}	50	100	200	400	600	800	1000	V
Maximum Average Forward Rectified Current @T _A = 50°C	I _{F(AV)}	2.0							A
Peak Forward Surge Current, 8.3 ms Single Half Sine-wave Superimposed on Rated Load (JEDEC method)	I _{FSM}	50							A
Maximum Instantaneous Forward Voltage Drop Per Leg @2.0A	V _F	1.1							V
Maximum DC Reverse Current at Rated DC Blocking Voltage T _A = 25°C T _A = 100°C	I _R	10 500							uA uA
Operating Temperature Range	T _J	-55 to+125							°C
Storage Temperature Range	T _{STG}	-55 to+150							°C

RATING AND CHARACTERISTIC CURVES

2W005 THRU 2W10

FIG.1 - MAXIMUM NON-REPETITIVE FORWARD SURGE CURRENT PER BRIDGE ELEMENT

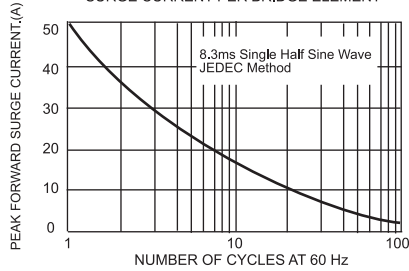


FIG.2 - MAXIMUM CURRENT DERATING CURVE OUTPUT RECTIFIED CURRENT

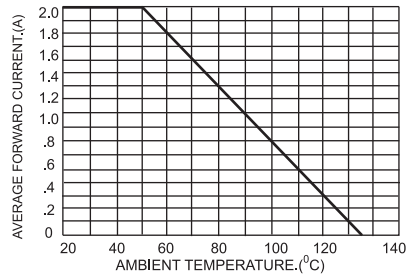


FIG.3-TYPICAL INSTANTANEOUS FORWARD CHARACTERISTICS PER BRIDGE ELEMENT

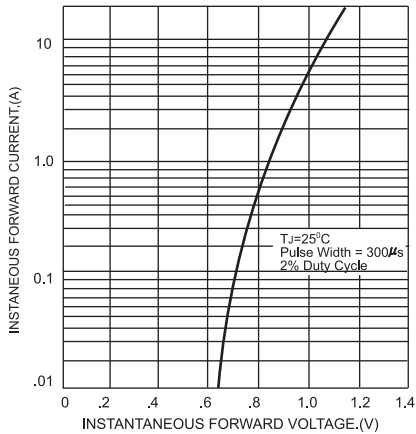


FIG.4-TYPICAL REVERSE CHARACTERISTICS PER BRIDGE ELEMENT

